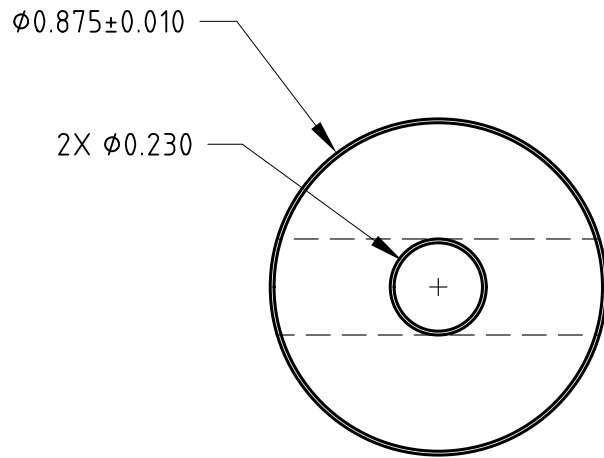
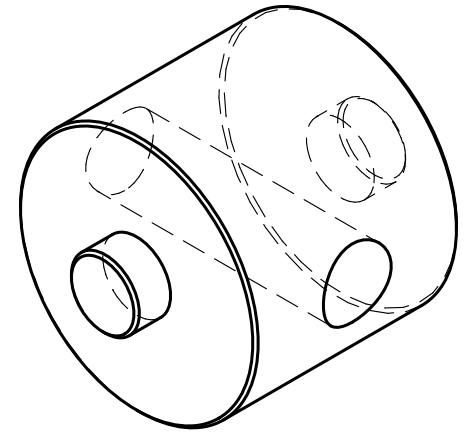
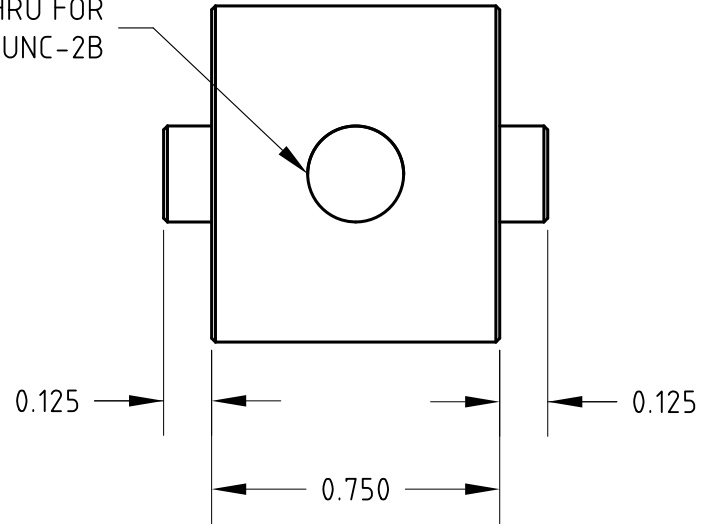


NOTES:

1. BREAK EDGES .010 MAX.



THREAD THRU FOR
1/4-20 UNC-2B



UNLESS OTHERWISE SPECIFIED, DIMENSIONS ARE IN INCHES -XX = ±.0- .XXX = ±.00- .XXXX = ±.000- SURFACE FINISH √		NAME	DATE	Threaded Hinge Dwg	
ANGULARZ = ± ° FRACTIONAL = ±	DRAWN	FastwayJim	08/10/2016		
DO NOT SCALE DRAWING	CHECKED			TITLE	
BREAK ALL SHARP EDGES AND REMOVE BURRS	APPROVED			-----	
THIRD ANGLE PROJECTION	MATERIAL	FINISH	SIZE	DWG NO.	REV.
			A	-----	-
			SCALE	WEIGHT	SHEET
					1 of 1